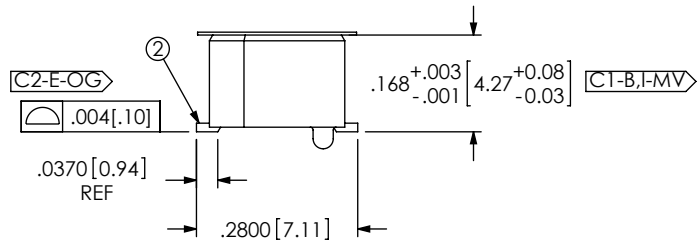
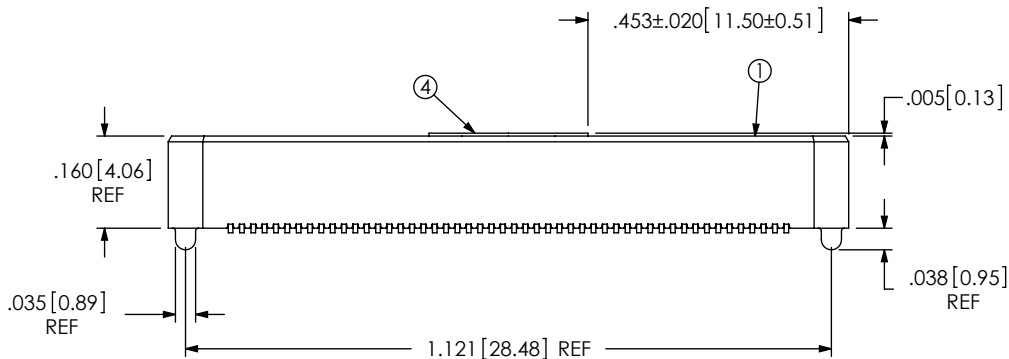
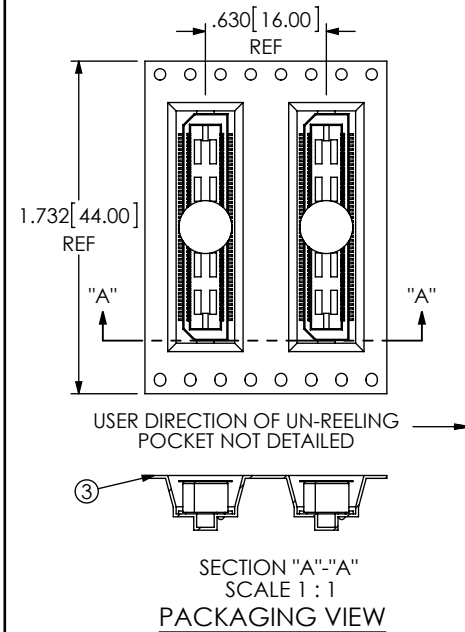
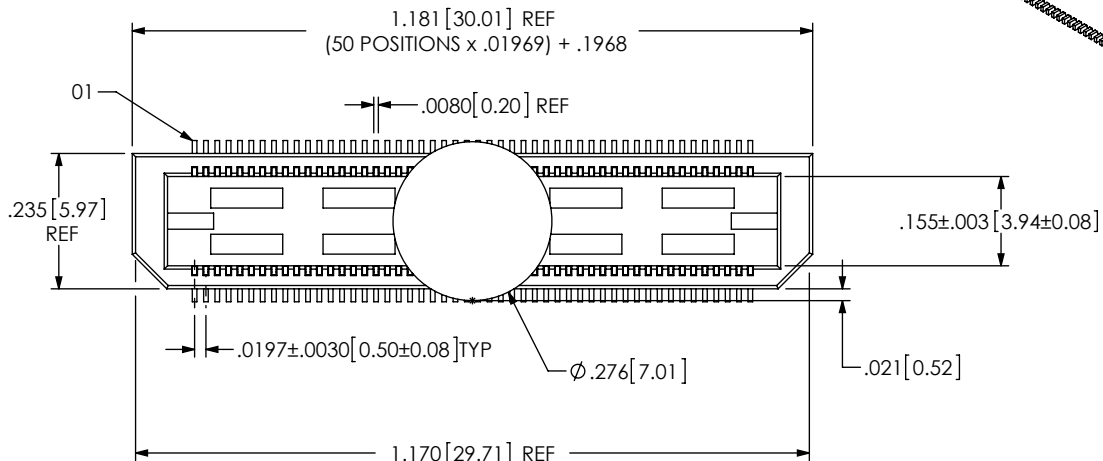
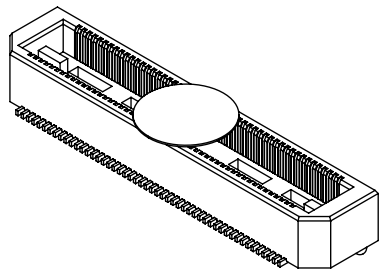


REVISION

|                        |            |           |
|------------------------|------------|-----------|
| A                      | TW         | A HOFMANN |
| 1/16/2014              | ECN-219294 |           |
| RELEASE FOR PRODUCTION |            |           |

NOTES:

1. SET UP FOR TRACEABILITY.
2.  $\boxed{\text{XXXX}}$  REPRESENTS A CRITICAL DIMENSION.
3. MAXIMUM CUT FLASH: .010[.25].
4. MINIMUM PUSHOUT FORCE: 6 OZ.
5. MAXIMUM VARIANCE OF .002 [.05].
6. PARTS TO BE PACKAGED IN TAPE & REEL.



ACCEPTANCE OF DRAWING  
ACCEPTED WITH DEVIATIONS LISTED

DATE: \_\_\_\_\_  
 COMPANY: \_\_\_\_\_  
 CUSTOMER SIGNATURE: \_\_\_\_\_  
 PRINTED NAME: \_\_\_\_\_  
 PHONE No: \_\_\_\_\_  
 FAX No: \_\_\_\_\_

| ITEM NO. | PART NUMBER          | QUANTITY | MATERIAL                       |
|----------|----------------------|----------|--------------------------------|
| 1        | BTH-050-01-D-A       | 1.0000   | VECTRA E130i, COLOR: BLACK     |
| 2        | T-1S39-01-L          | 100.00   | PHOS BRONZE, 510 SPRING TEMPER |
| 3        | CT-BTH003MS          | .00235   | CONDUCTIVE POLYMER             |
| 4        | K-DOT-.276-.375-.005 | 1.0000   | POLYIMIDE FILM                 |

UNLESS OTHERWISE SPECIFIED, DIMENSIONS ARE IN INCHES.  
 TOLERANCES ARE:  
 DECIMALS ANGLES  
 .XX: ±.01[.3] 2°  
 .XXX: ±.005[.13]  
 .XXXX: ±.0020[.051]

PROPRIETARY NOTE  
 THIS DOCUMENT CONTAINS INFORMATION CONFIDENTIAL AND PROPRIETARY TO SAMTEC, INC. AND SHALL NOT BE REPRODUCED OR TRANSFERRED TO OTHER DOCUMENTS OR DISCLOSED TO OTHERS OR USED FOR ANY PURPOSE OTHER THAN THAT WHICH IT WAS OBTAINED WITHOUT THE EXPRESSED WRITTEN CONSENT OF SAMTEC, INC.

DO NOT SCALE DRAWING SHEET SCALE: 3:1

PLATING:  
 CONTACT AREA: .000010 GOLD OVER .000050 NICKEL  
 REMAINDER: .000200 REF TIN OVER .000050 NICKEL

DESCRIPTION: BTH ASSEMBLY  
 DWG. NO. REF-177861-03  
 BY: WHELAN 01/15/14 SHEET 1 OF 1

520 PARK EAST BLVD, NEW ALBANY, IN 47150  
 PHONE: 812-944-6733 FAX: 812-948-5047  
 e-Mail: info@SAMTEC.com code 55322

F:\dwg\sw\ref\REF-177861-03.SLDDRW